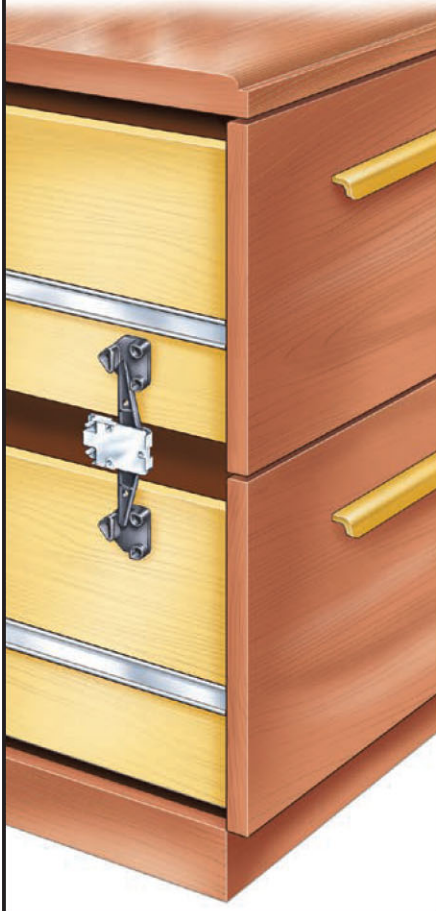


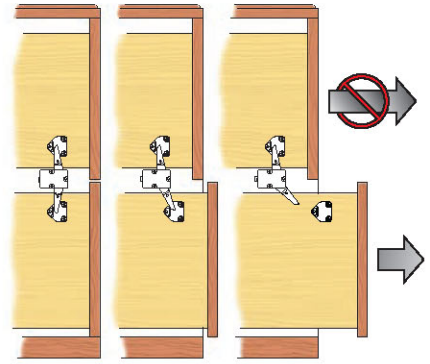
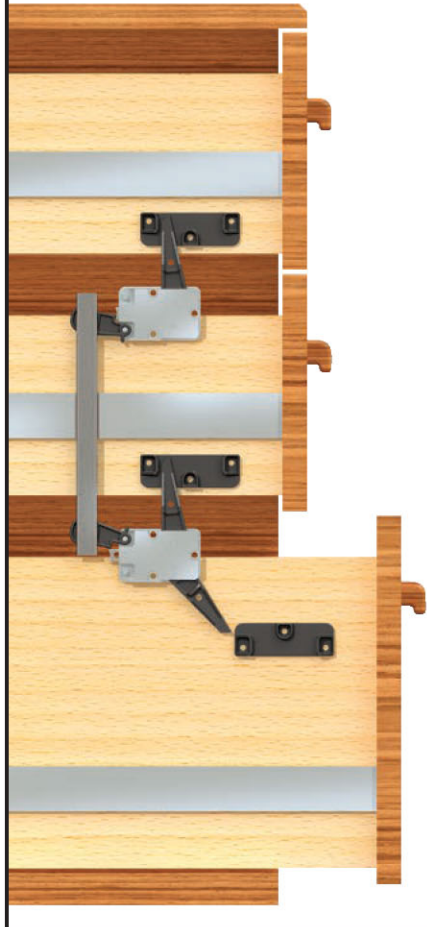
# ANTI-TIP INTERLOCK SYSTEM 400

2-DRAWER LATERAL  
(NO LOCK)



# ANTI-TIP INTERLOCK SYSTEM 400

3-DRAWER BOX, BOX, FILE  
(NO LOCK)



WHEN EITHER DRAWER IS PULLED OPEN, THE DRAWER CLIP ON THAT DRAWER MOVES THE SNAPPER INTO A LOCKED POSITION. THIS PREVENTS ANY FURTHER DRAWERS FROM BEING OPENED.

- Prevents more than one drawer from being opened at a time
- Meets BIFMA standards for strength and durability
- All components are surface mounted
- Wide tolerance accommodation
- Easy to mount and low cost
- Accommodates 1/2" or 3/4" drawer slide clearance

## SYSTEM 400 COMPONENTS



SN-400  
ANTI-TIP  
SNAPPER



SN-403



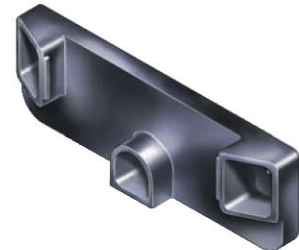
SN-405



SN-410  
LINKAGE  
ARM



DC-400  
DRAWER CLIP



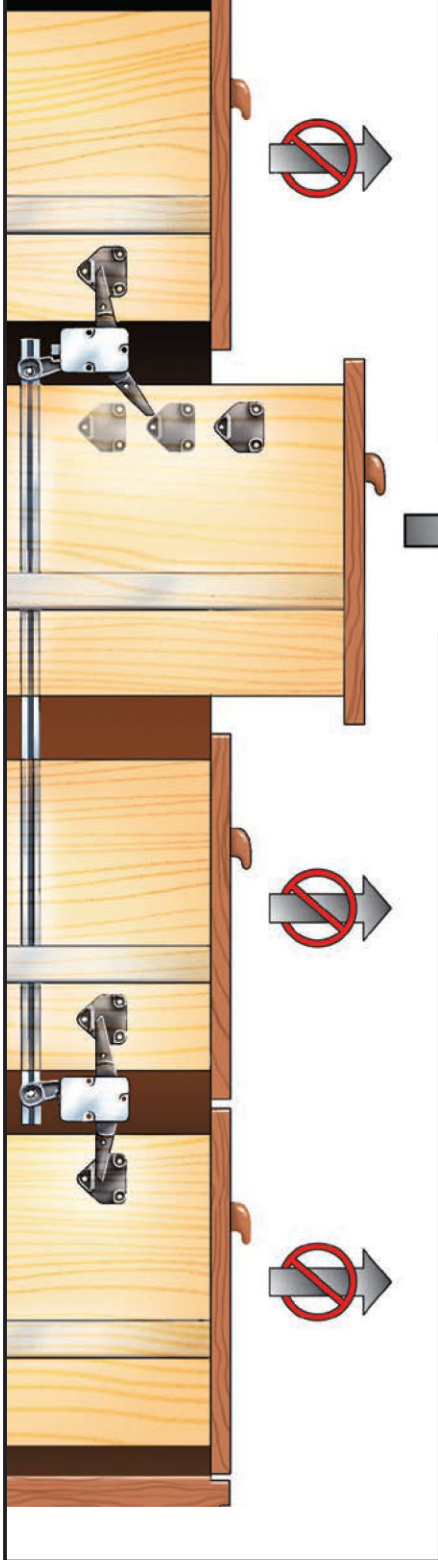
DC-410  
NARROW  
DRAWER  
CLIP FOR  
1/2" DRAWER  
SLIDES

DC-411  
NARROW  
DRAWER  
CLIP FOR  
3/4" DRAWER  
SLIDES

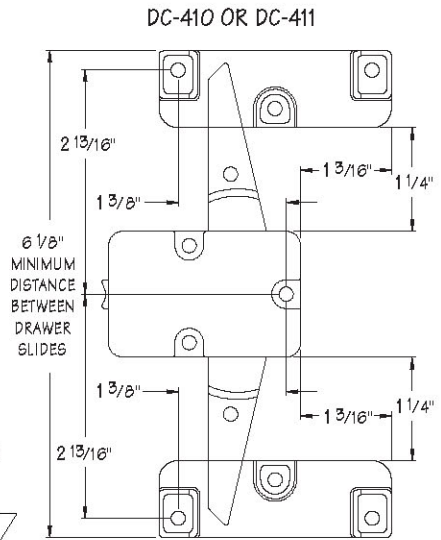
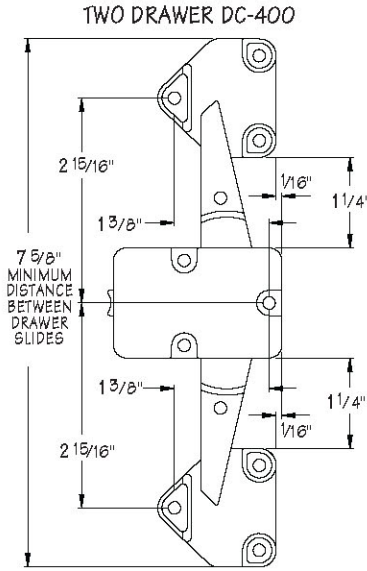


# ANTI-TIP INTERLOCK SYSTEM 400

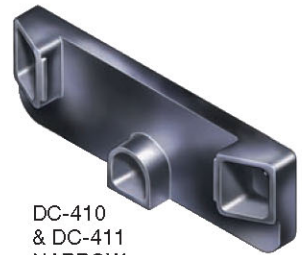
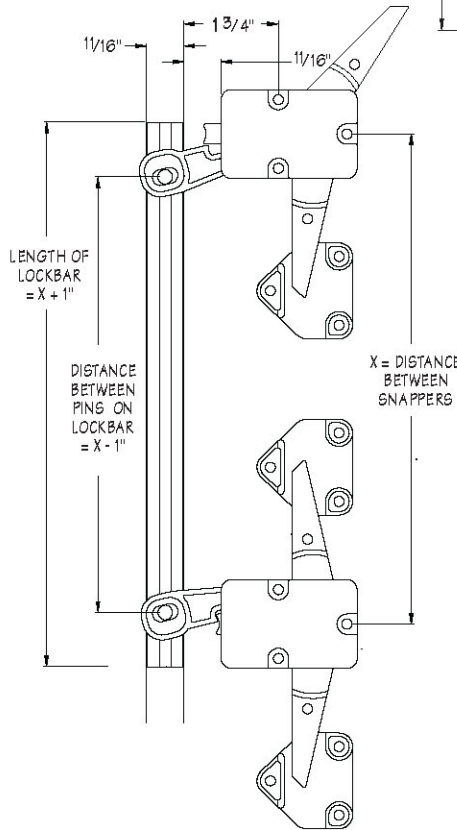
3 OR 4-DRAWER LATERAL  
(NO LOCK)



# TYPICAL INSTALLATION DETAILS



LINKAGE BAR FOR THREE OR FOUR DRAWER APPLICATIONS DC-400 SHOWN



FOR USE WHEN LESS SPACE IS ALLOWABLE BETWEEN DRAWER SLIDES

