

2024



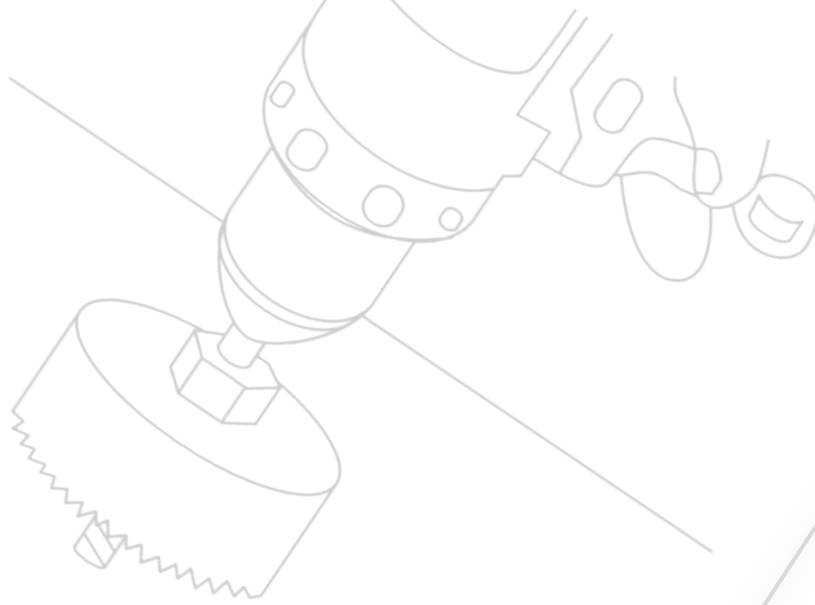
Designed and assembled  
in Canada



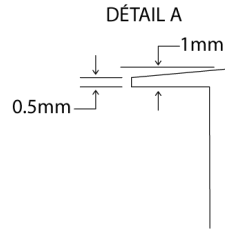
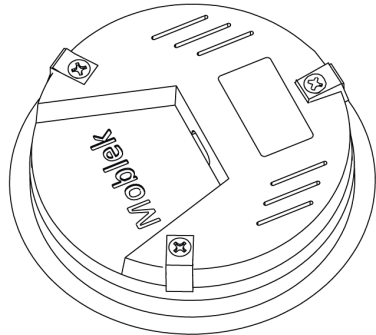
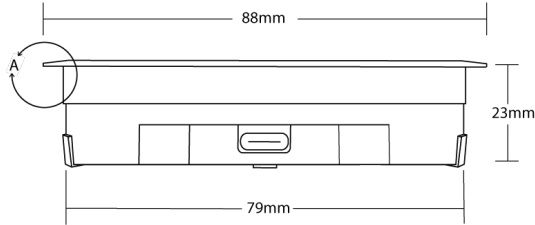
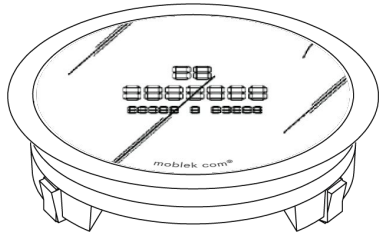
# Moblek

Technical specifications

Installation guide



# Technical specifications



## Moblek wireless charger system:

- Dimensions: 25mm x 79mm
- Materials: plastic / stainless steel / electronic / glass surface 9H / magnet
- Input: 12V / 2A, 9V 2A, 5V / 3A
- Output: 15W / 10W / 7.5W / 5W
- Frequency: 110-148 KHZ
- Operating temperature: 0C - 40C
- Short Circuit Protection
- Overcurrent Protection
- Fast charge EPP 15W
- Standby mode when no phone
- Intelligent identification system while its transmitter and receiver unit adopts UART
- Interchangeable, customizable surface ©

## Moblek Cable:

- Super High Speed USB 3.1 to USB-C
- Dimensions: standard 2m length x 5mm DIA)  
(optional length 1m - 3m)

## Certifications, tests & reports:

Qi • CE • FCC • Qualcomm 3.0 • FCC • ROHS • ETL • CB

\* Documents available upon request

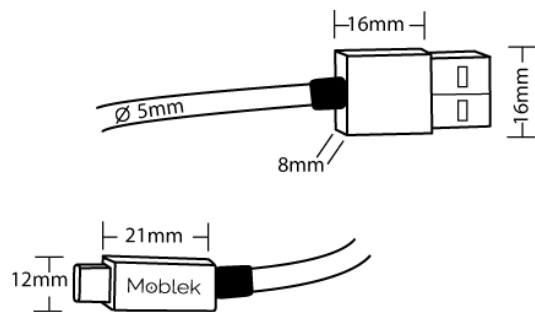
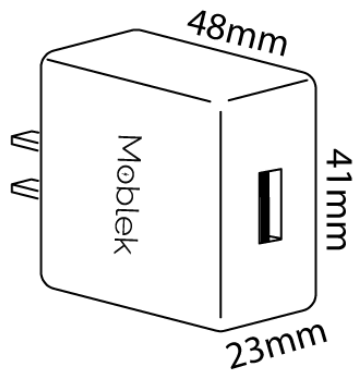
\*\* Country specific specifications available.

## Moblek wall charger:

- Input: 100V • 240V
- Output: 18W 5V-3A or 9V-2A or 12V-1.5A

# Technical specifications

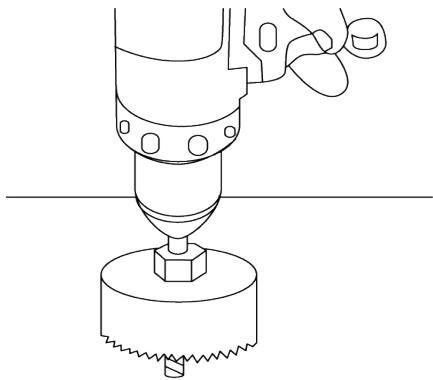
Moblek accessories dimension:



# Technical specifications

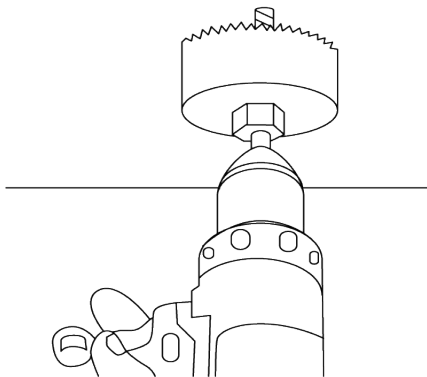
1

Drill a hole with a **3 1/8"** DIA. hole saw on the top of the surface. (**80mm DIA**)



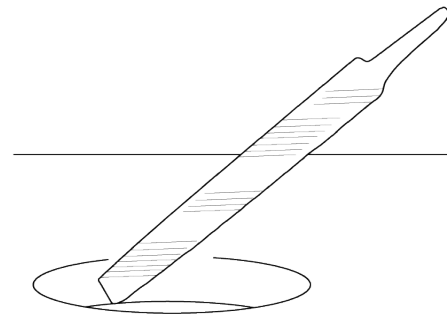
2

Drill the hole all the way through the surface to allow air to circulate under the charger and prevent overheating. If necessary, complete the drilling from beneath the surface.



3

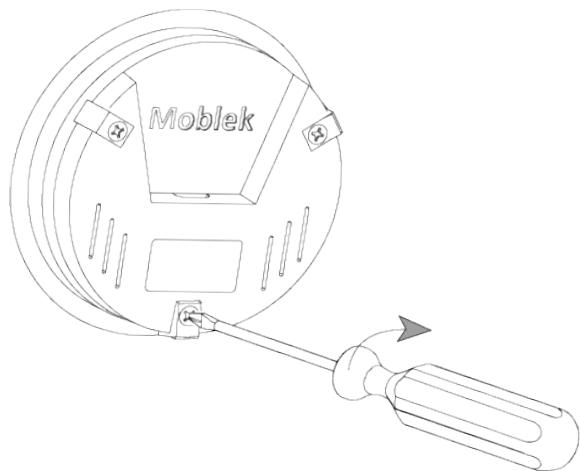
It is crucial to carefully file the edges of the hole to remove imperfections and ensure that the stainless steel ring is properly seated.



# Technical specifications

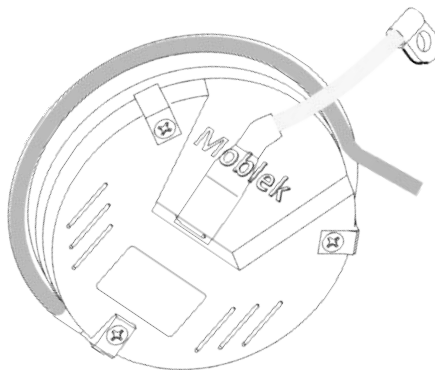
4

Make sure that the three screws underneath the charger are almost fully screwed in, leaving a half-turn loose.



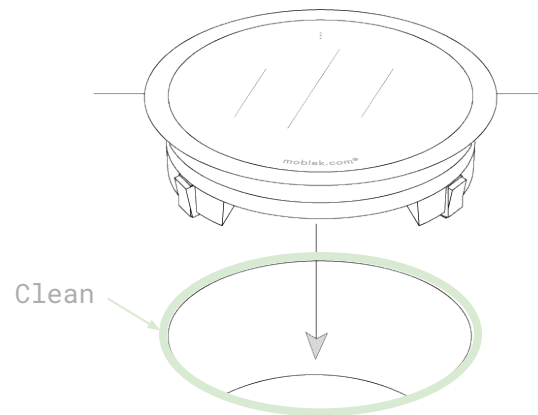
5

Insert the USB wire into the charger and ensure that you peel off the double-sided tape beneath the ring (transparent tape to prevent liquid infiltration).



6

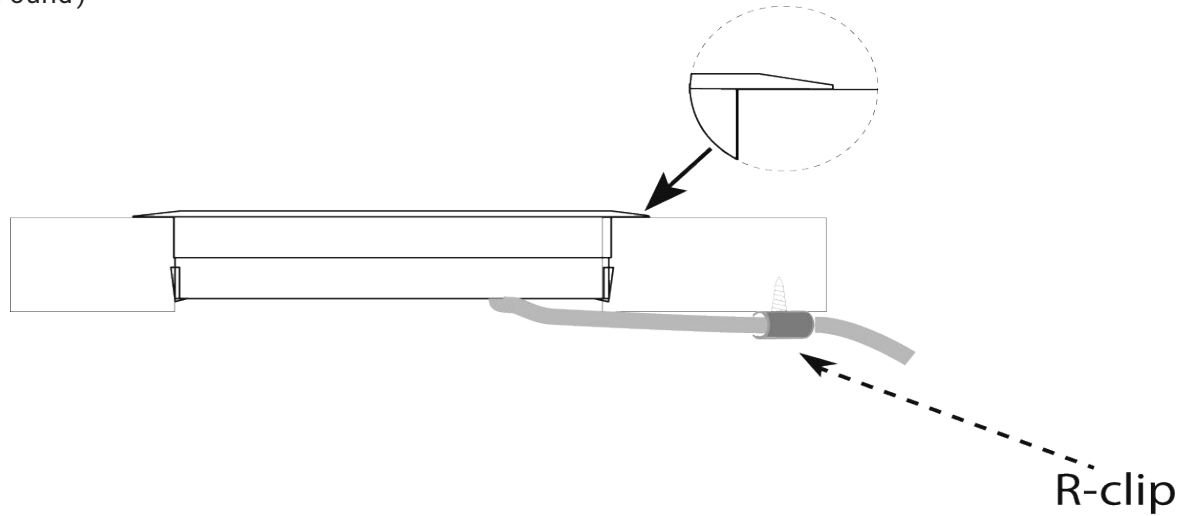
Align and insert the charger into the surface hole, applying a uniform pressure until it is fully seated on the edge.



# Technical specifications

7

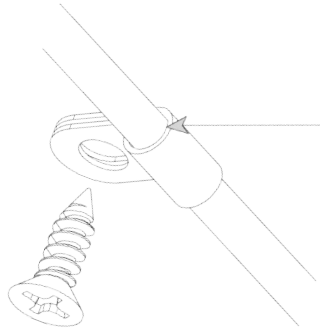
Make sure that the charger lip is perfectly sit. (all around)



# Technical specifications

8

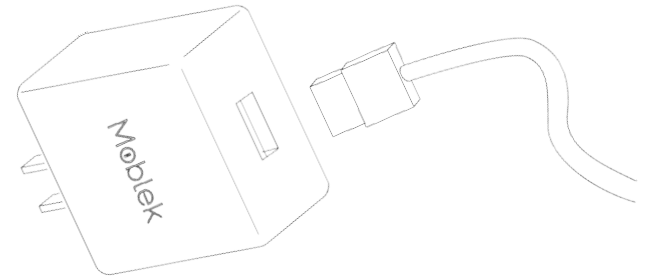
Secure the wire under the surface using plastic R-clip and screws. It is important to secure the wire close to the connection to prevent it from unplugging once installed.



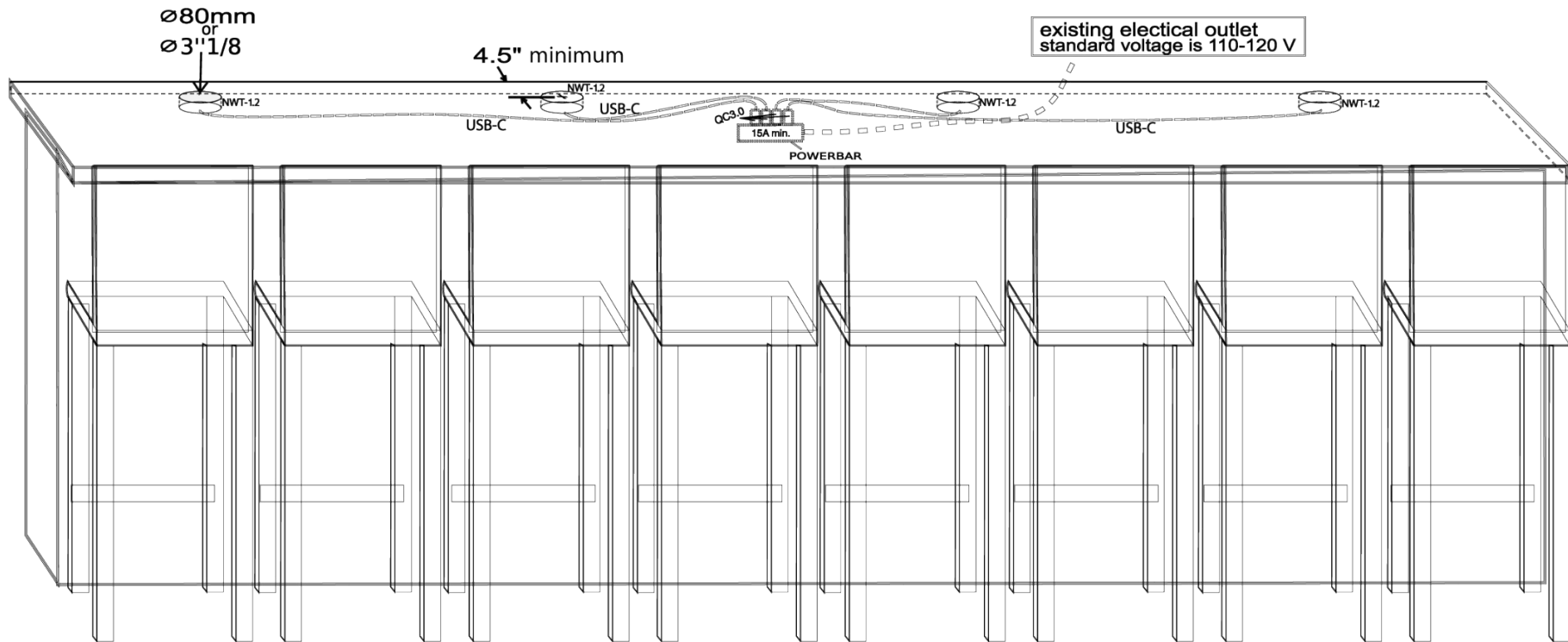
The wire must be in the «O» so that it is not crushed.

9

Insert the other end of the USB cable into the wall charger (the wall charger should be hidden from the customer to prevent tampering or theft).

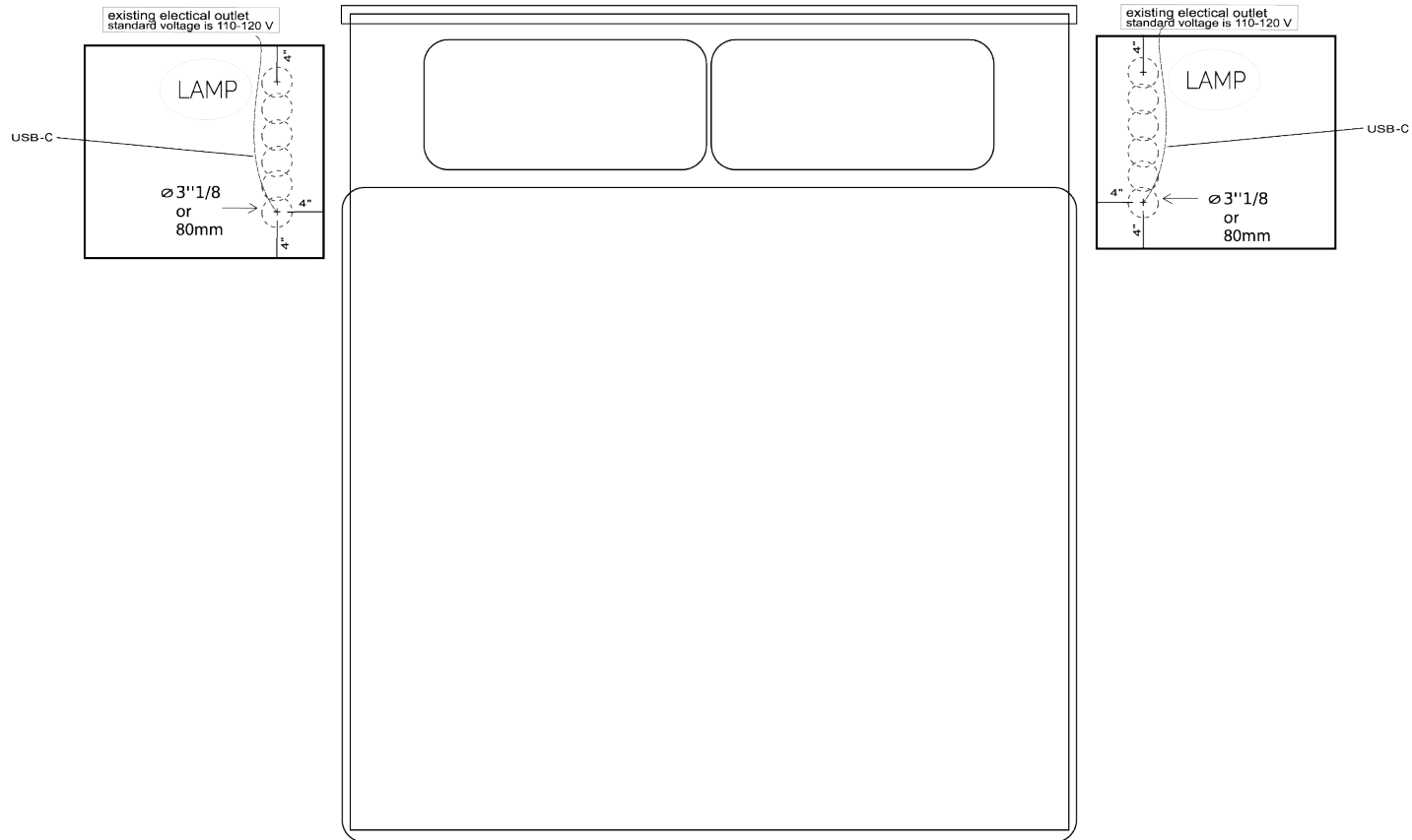


# Installation recommended for restaurant - bar





# Installation recommended for hotel room





## Canada head office

3700 Saint-Patrick #318  
Montreal (Quebec), Canada H4E 1A2