

FinishPro® 25XP



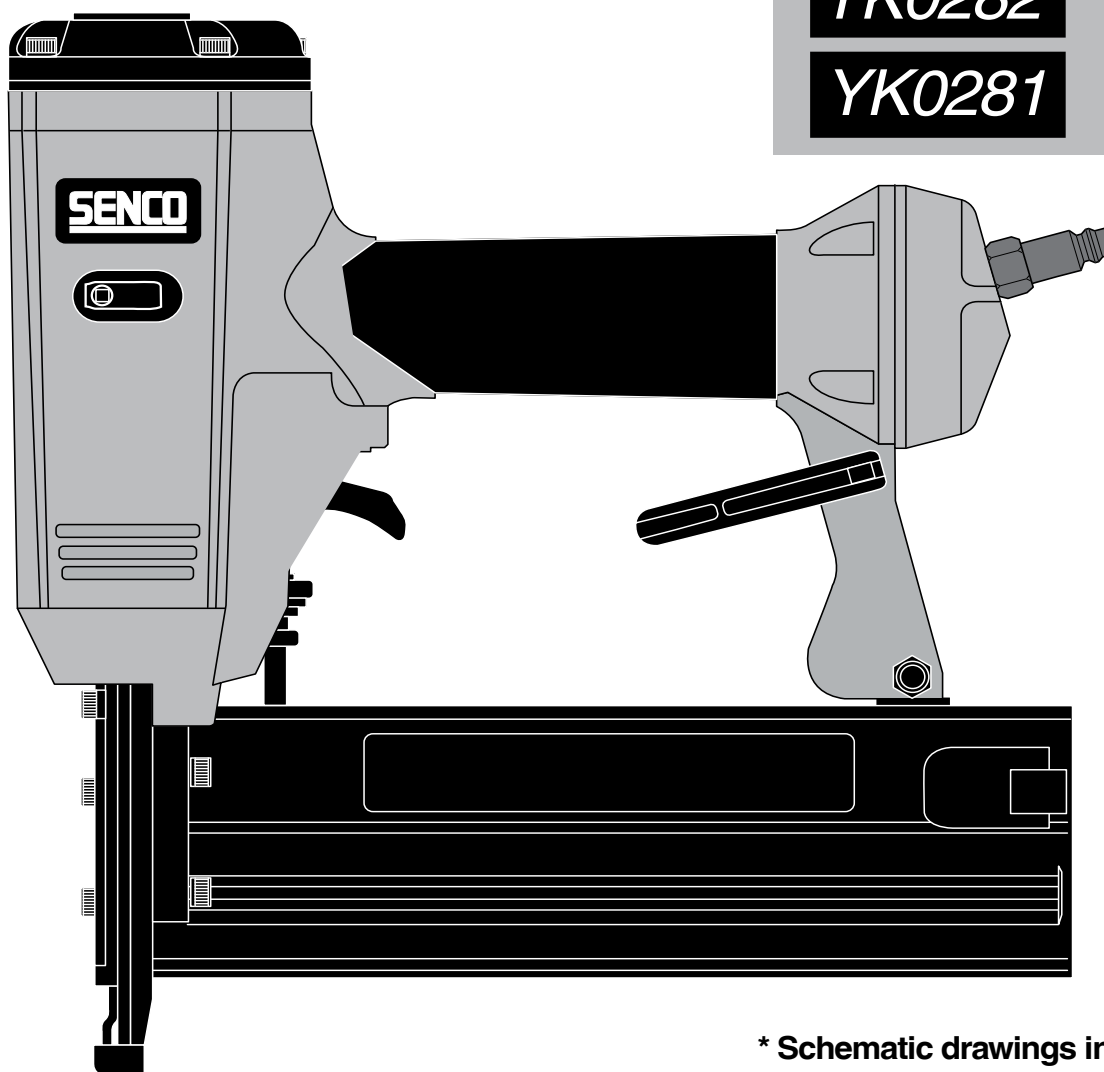
Parts Reference Guide



Repair Kits

YK0282

YK0281



* Schematic drawings inside

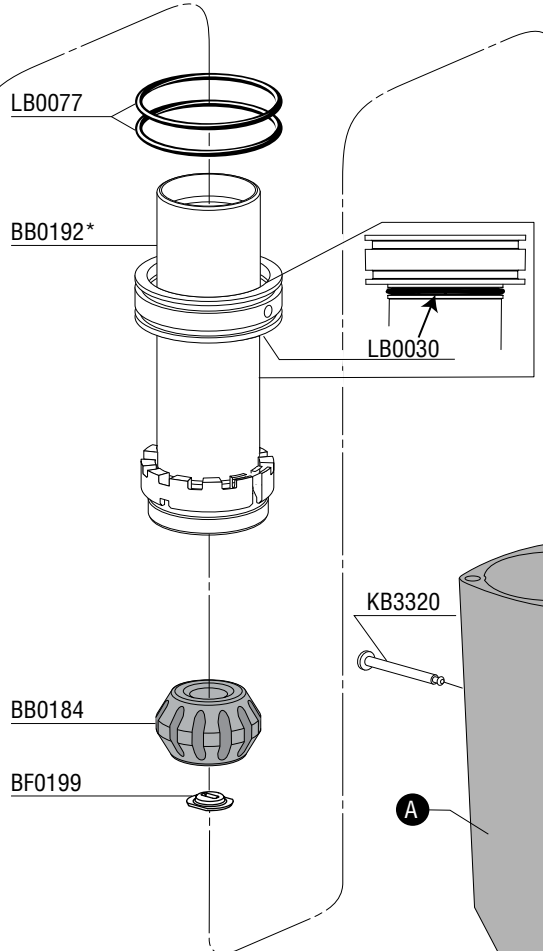
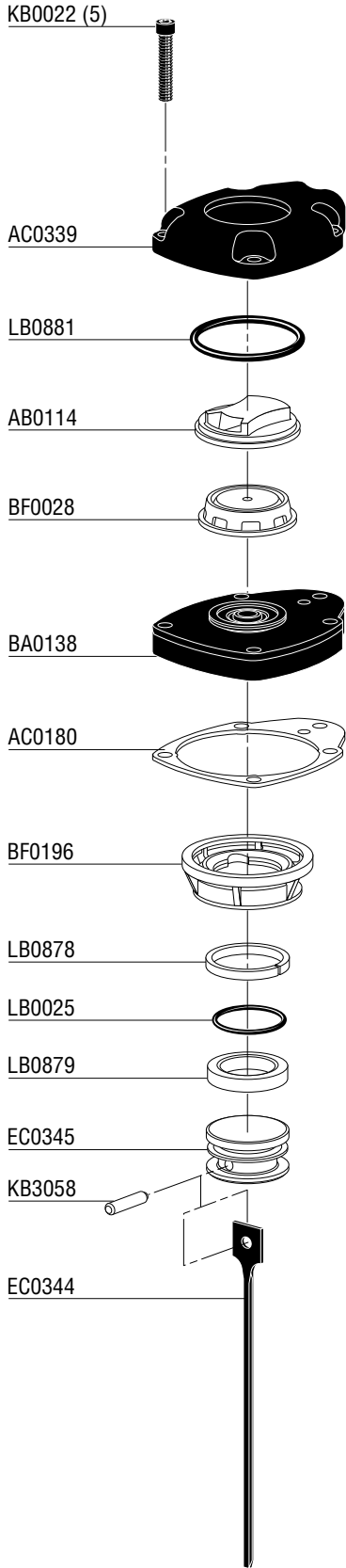
Senco Products, Inc.
8485 Broadwell Road
Cincinnati, Ohio 45244
Visit our Website www.senco.com

Questions? Comments? call SENCO's toll-free
Action-line: 1-800-543-4596
(North America & South America only)
or e-mail: toolprof@senco.com

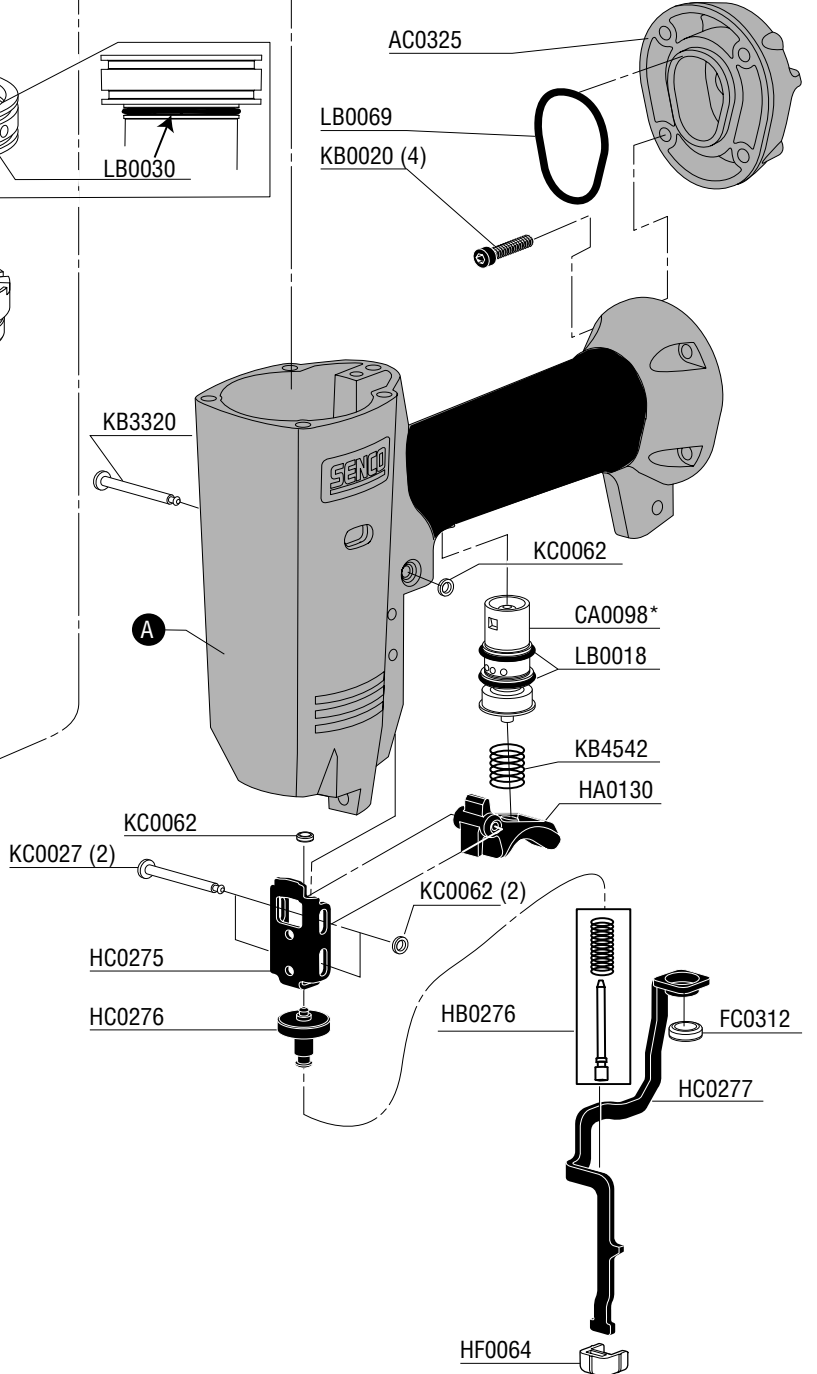


FinishPro® 25XP

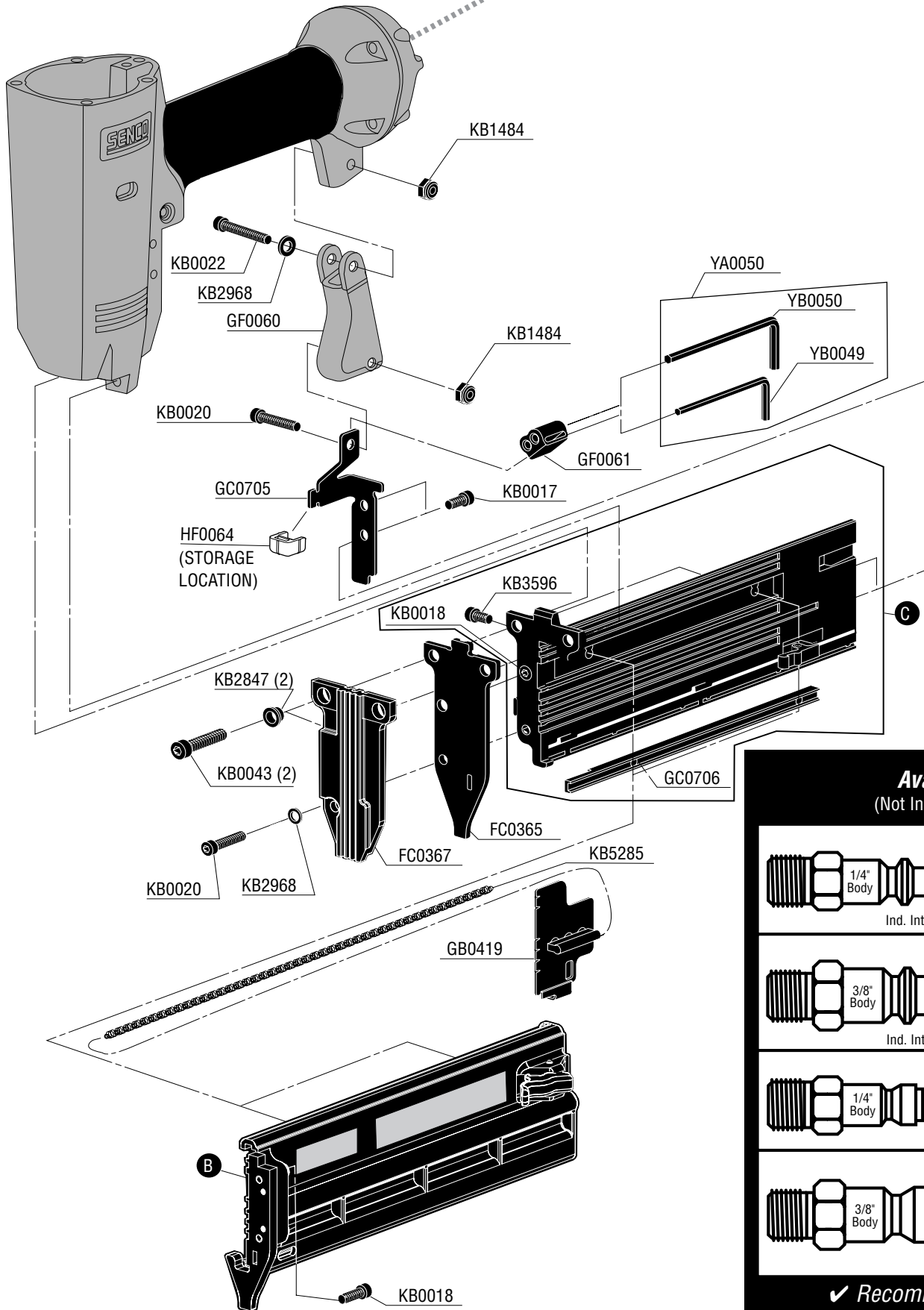
SENCO®



- * Does Not Include O-rings
- * No incluye sellos de gomas
- * Ohne Dichtringe
- * Joints exclus



TOOL#	MODEL	A	B	C
760102N	Single Sequential (US)	AB0111	GA0387	GA0386
761002N	Single Sequential (Japan)	AB0120	GA0409	GA0386
762002N	Single Sequential (Euro)	AB0111	GA0409	GA0388



NFG076 Revised April 25, 2008 (Replaces 4/9/07) ©2003, 2008 by Senco Products, Inc. Cincinnati, Ohio 45244 - U.S.A.

Available Plugs (Not Included with Tool)

	PC0479 ✓ Ind. Interchange 1/4" NPT
	PC0486 Ind. Interchange 1/4" NPT
	PC0468 ✓ Tru-Flate 1/4" NPT
	PC0474 Tru-Flate 1/4" NPT

✓ **Recommended Plugs**
Plugs shown smaller than actual size

FinishPro® 25XP

REPLACEMENT PARTS LIST • LISTA DE PARTES DE REPUESTO • ERSATSTEILE-LISTE • LISTE DE PIÈCES DE RECHANGE

PART NO.	DESCRIPTION	DESCRIPCIÓN	BESCHREIBUNG	DÉSIGNATION
AB0111	MAINBODY	CUERPO PRINCIPAL	GEHÄUSE	CORPS
AB0114	DEFLECTOR, EXHAUST	DESVIADOR	ABWEISER	DÉFLECTEUR
AB0120	MAINBODY (JAPAN)	CUERPO PRINCIPAL	GEHÄUSE	CORPS
AC0180	GASKET, MAINBODY	JUNTA	DICHTUNG	JOINT
AC0325	CAP, MAINBODY HANDLE	TAPA	KAPPE	BOUCHON
AC0339	CAP, MAINBODY	TAPA	KAPPE	BOUCHON
BA0138	VALVE ASSEMBLY	ASAMBLE DE VALVULA	VENTIL-ZUSAMMENBAU	VALVE D'ASSEMBLÉE
BB0184	STOP	TOPE	PUFFER	ARRÊT
BB0192	CYLINDER ASSY.	ASAMBLE DE CILINDRO	ZYLINDER-ZUSAMMENBAU	CYLINDRE D'ASSEMBLÉE
BF0028	SEAL, EXHAUST	SELLO	DICHTUNG	JOINT
BF0196	SLEEVE RETAINER	JUNTA TÓRICA	SICHERUNGSRING	RETENUE
BF0199	DRIVER SEAL	SELLO	DICHTUNG	JOINT
CA0098	VALVE ASSEMBLY	ASAMBLE DE VALVULA	VENTIL-ZUSAMMENBAU	VALVE D'ASSEMBLÉE
EC0344	DRIVER	PERCUSOR	TREIBER	COUTEAU
EC0345	PISTON	PISTON	KOLBEN	PISTON
FC0312	RETAINER	JUNTA TÓRICA	SICHERUNGSRING	RETENUE
FC0365	PLATE, FRONT	PLACA	PLATTE	PLAQUE
FC0367	COVER, SAFETY	CUBIERTA	ABDECKUNG	COUVERCLE
GA0386	RAIL ASSY., FIXED (US/JAPAN)	ASAMBLE DE CARRIL	SCHIENE-ZUSAMMENBAU	RAIL D'ASSEMBLÉE
GA0387	RAIL ASSY., MOVABLE (US)	ASAMBLE DE CARRIL	SCHIENE-ZUSAMMENBAU	RAIL D'ASSEMBLÉE
GA0388	RAIL ASSY., FIXED (EURO)	ASAMBLE DE CARRIL	SCHIENE-ZUSAMMENBAU	RAIL D'ASSEMBLÉE
GA0409	RAIL ASSY., MOVABLE (JAPAN/EURO)	ASAMBLE DE CARRIL	SCHIENE-ZUSAMMENBAU	RAIL D'ASSEMBLÉE
GB0419	FEEDER SHOE ASSY.	ENSEMBLAJE DEL ALIMENTADOR	KLAMMERSCHIEBER-ZUSAMMENBAU	POUSSOIR D'ASSEMBLÉE
GC0705	BRACKET, MOUNTING	SOPORTE	HALTERUNG	CAVALIER
GC0706	RAIL, MAGAZINE ADJ.	CARRIL	SCHIENE	RAIL
GF0060	BRACKET	SOPORTE	HALTERUNG	CAVALIER
GF0061	HOLDER, WRENCH	SOPORTE	HALTERUNG	CAVALIER
HA0130	TRIGGER	GATILLO	AUSLÖSER	GACHETTE
HB0276	PIN ASSY.	ASAMBLE DE PASADOR	STIFT-ZUSAMMENBAU	GOUPILLE D'ASSEMBLÉE
HC0275	SAFETY ELEMENT (UPPER)	SEGURO DE SUPERIOR	OBERSICHERHEITSVORRICHTUNG	SÉCURITÉ EN DESSUS
HC0276	ADJUSTMENT WHEEL	RUEDA DE AJUSTE	EINREGELN RAD	MOLLETTE DE RÉGLAGE
HC0277	SAFETY ELEMENT	SEGURO	SICHERHEITSVORRICHTUNG	SÉCURITÉ
HF0064	CUSHION	AMORTIGUADOR	SCHUTZ	COUSSIN
KB0017	SCREW	TORNILLO	SCHRAUBE	VIS
KB0018	SCREW	TORNILLO	SCHRAUBE	VIS
KB0020	SCREW	TORNILLO	SCHRAUBE	VIS
KB0022	SCREW	TORNILLO	SCHRAUBE	VIS
KB0043	SCREW	TORNILLO	SCHRAUBE	VIS
KB1484	NUT, ELASTIC LOC.	TUERCA	MUTTER	ÉCROU
KB2847	BUSHING	CASQUILLO	HÜLSE	DOUILLE
KB2968	WASHER	ARANDELA	SCHEIBE	RONDELLE
KB3058	PIN, DRIVER	PASADOR	STIFT	GOUPILLE
KB3320	PIN, RETAINING	PASADOR	STIFT	GOUPILLE
KB3596	SCREW	TORNILLO	SCHRAUBE	VIS
KB4542	SPRING, COMPRESSION	MUELLE	FEDER	RESSORT
KB5285	SPRING, FEEDER SHOE	MUELLE	FEDER	RESSORT
KC0027	PIN, TRIGGER AND SAFETY	PASADOR	STIFT	GOUPILLE
KC0062	RETAINER, PIN	JUNTA TÓRICA	SICHERUNGSRING	RETENUE
LB0018	SEAL	SELLO	DICHTUNG	JOINT
LB0025	SEAL	SELLO	O-RING	JOINT
LB0030	SEAL	SELLO	O-RING	JOINT
LB0069	SEAL	SELLO	O-RING	JOINT
LB0077	SEAL	SELLO	O-RING	JOINT
LB0881	SEAL	SELLO	DICHTUNG	JOINT
LB0878	SEAL	SELLO	DICHTUNG	JOINT
LB0879	RETAINER	JUNTA TÓRICA	SICHERUNGSRING	RETENUE
YA0050	WRENCH KIT	CONJUNTO	EINBAUSATZ	KIT
YB0049	WRENCH	HERRAMIENTA	GERÄT	APPAREIL
YB0050	WRENCH	HERRAMIENTA	GERÄT	APPAREIL