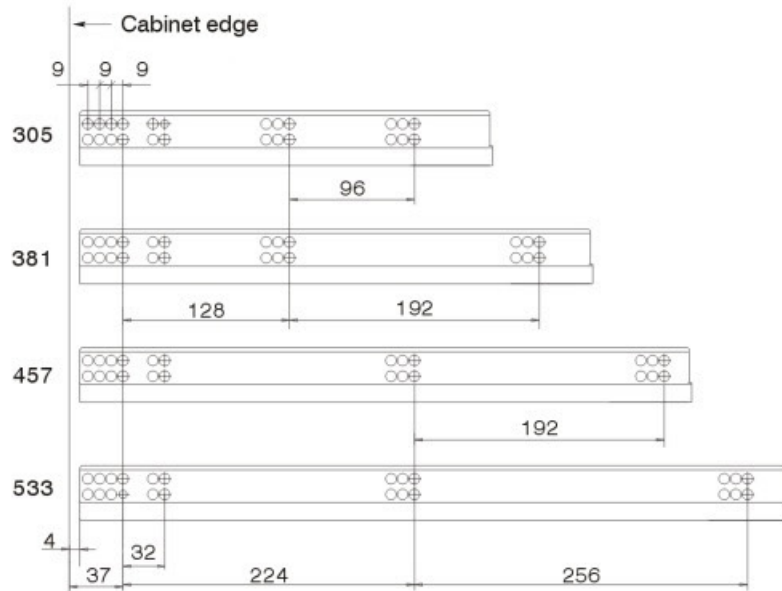


**S20 Series Full Extension Undermount Slides for Frame and Frameless Cabinets (with locking device and damper)**

- Load capacity: 25kg
- Finish: zinc plated
- Length: 229-533mm
- Full extension
- Tool free assembly and removal of drawer
- Silent system guarantees smooth run without noise
- Drawer height adjustment: 0~+3mm

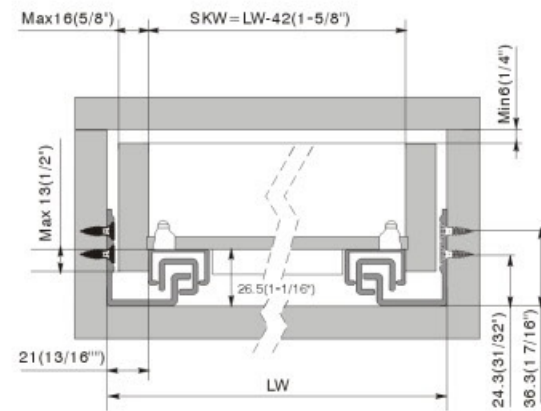


**Hole Pattern**



**Installation Dimensions**

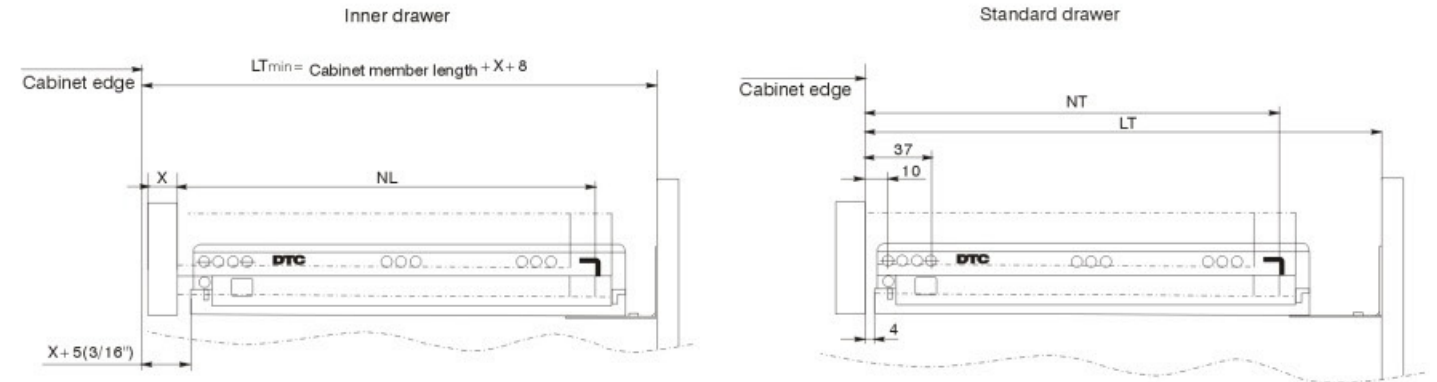
SKW = Internal Drawer Width    LW = Internal Cabinet Width



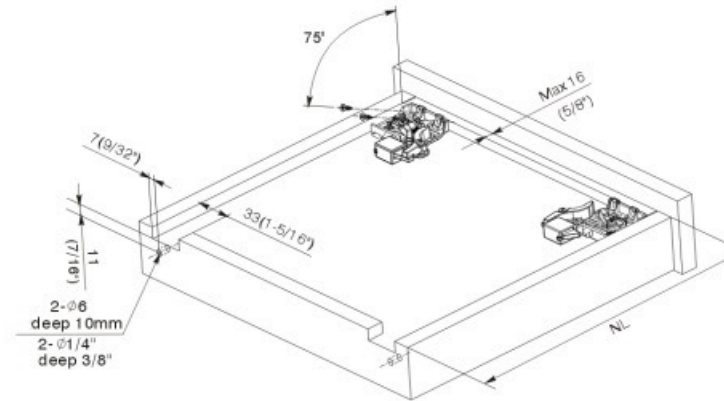
NL (mm)	Cabinet Member Length	LT (mm)	
		Max	Min
305 (12")	317 (12-1/2")	369 (14-9/16")	326 (12-7/8")
381 (15")	394 (15-1/2")	446 (17-9/16")	403 (15-7/8")
457 (18")	470 (18-1/2")	522 (20-9/16")	479 (18-7/8")
533 (21")	546 (21-1/2")	598 (23-9/16")	555 (21-7/8")

**Installation Dimensions**

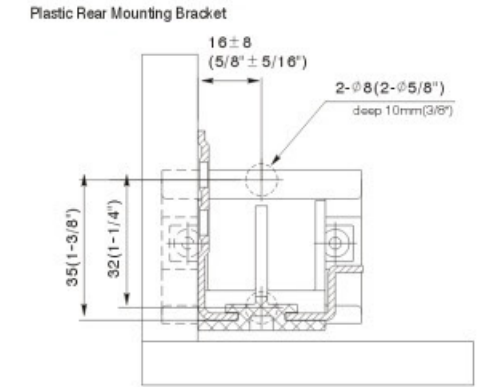
NL = Nominal Slide Length    LT = Internal cabinet Depth



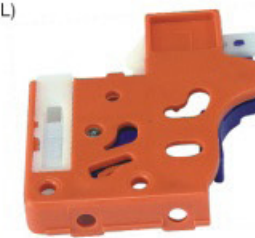
**Drawer Size and Boring**



**Fixing Positions on Back Panel of Cabinet**



Locking device (L)



Item no.  
0SL01

Locking device (R)



Item no.  
0SL02

Rear Mounting Bracket For Frame Application Only



Item no.  
0GA01

S20 Series	Length	229mm	305mm	381mm	457mm	533mm
16mm with locking device and damper	Item no.	S20.229.H	S20.305.H	S20.381.H	S20.457.H	S20.533.H
Packing	(set/ctn)	10	10	10	10	10

\* Max drawer side thickness: 16mm